

Practical Business Protection for Today's Enterprise

"We selected InMage because of its flexible and non intrusive architecture that met our DR requirements."

InMage is the only company that offers a unified software solution for continuous disaster recovery and local backup."

*- Dr. James Tu
VP and Information
Security Officer
CBRE*



Headquarters

InMage
3255-1 Scott Blvd, #102
Santa Clara, CA 95054

Phone: 1.800.646.3617
Local Phone: 408.200.3840
Fax: 408.588.1590

Email: info@inmage.net

Web: www.inmage.net

Overview

Business-critical data and applications must be available around the clock, or serious business disruption could result. In the past, the only way to address application availability was to perform regularly-scheduled backups, with no regard to data consistency across geographical boundaries, and no ability to recover information based on a significant transaction or business-based activity.

All that has changed. DR-Scout brings business continuity to a whole new level, combining enterprise-class disaster recovery with the world's most advanced continuous data protection (CDP) in a single product. Whether you are concerned about email, databases or unstructured files, InMage provides remote replication and continuous backup based on CDP technology.

DR-Scout is built for both medium and large enterprises, scaling to cover all the production servers, applications, platforms and storage systems that make up your business. Its built-in advanced CDP features mean that recovery is quick and easy. DR-Scout is the only product on the market to deliver consistent, fine-grained event recovery at any location, at any time, within any storage environment. This ability to go back to a business event allows unprecedented compliance with regulatory requirements.

Features and Benefits:

- Local CDP and remote Disaster Recovery from a single, out-of-the-box product: both real-time and remote data protection
- Patented point-in-time bookmarking technology for realistic and accurate RPO and RTO objectives
- Patented roll-forward and roll-back technology for recovery from the "true point of failure"
- Optimal mix of file and volume level replication
- Flexible host offloaded architecture with 100% remote management
- Hardware and storage independent - SAN, NAS, DAS, SCSI or any combination
- Intuitive WAN and bandwidth optimization with bandwidth usage policy enforcement
- Integrated encryption support
- Support for heterogeneous platforms: Windows, UNIX and LINUX - for both physical and virtual servers
- Comprehensive management tools include reporting and modelling with "if/then" capabilities

DR-Scout DS 0307

DR-Scout Unique Features

Disaster Recovery / Data Availability

Unique combination of scoping assistance, near-zero RPO and RTO, heterogeneous environment support and lack of disruption to the existing infrastructure

Push-button Exchange Failover

Fail over critical applications from the primary site to a secondary server or site - in a matter of just a few minutes.

Data Migration and Consolidation

Ensure protection and immediate availability of both data and applications.

Zero Backup Window Solutions

Ensure long-term storage and availability of all mission-critical data, without impacting production servers and processing - without a SAN!

Event-based Recovery & Compliance

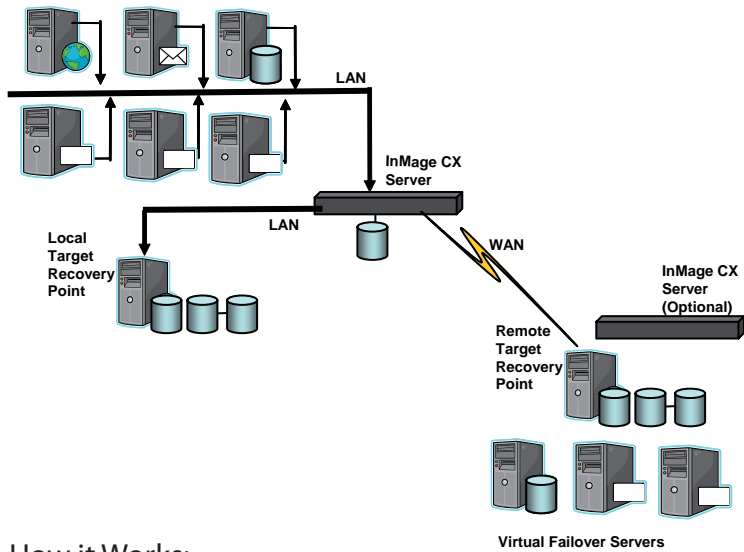
Protect and make data available in accordance with regulatory requirements such as Gramm-Leach-Bliley, SEC 17a-4, Sarbanes-Oxley and other regulations.

Operational Recovery

Service day-to-day recovery requests within minutes of data loss or corruption, generate a view of a disk volume or file as it existed moments before.

WAN Resiliency and Management

Manage this expensive commodity through sophisticated compression, coalescing and de-duplication to maximize bandwidth availability. Accommodate WAN anomalies elastically.



How it Works:

DR-Scout is designed for efficient, highly-scalable processing in the most demanding environments. The solution consists of two types of components: host-agents and control servers. Host Agents include DR-Scout VX for volume-level continuous data protection, and DR-Scout FX for scheduled file-level protection. Each has a small footprint on the host, and only moves byte-level differences based on data changes.

Dr-Scout CX is the Control and Media Server that provides for centralized management and offload of CPU-intensive operations necessary for efficient data protection. It includes a CDP/DR modeler to help IT accurately provision secondary disk storage and bandwidth. The diagram above shows a typical deployment of DR-Scout in an enterprise datacenter, providing quick operational restore via CDP for outages of even one day or more, and efficient bandwidth utilization for longer-term Disaster Recovery and Remote Replication to a secondary site.



Solution Centre Limited
 Vickers House
 Priestley Road
 Basingstoke, RG24 9NP.
 Tel: 01256 818600
 Fax: 01256 819600
 E-Mail: sales@solutioncentre.co.uk
www.solutioncentre.co.uk

"Most replication products tend to be used more for content distribution than disaster recovery. DR-Scout was designed from the ground up to get users back quickly when the worst occurs."

- Steve Duplessie,
 Senior analyst and founder,
 Enterprise Strategy Group (ESG)

